

**SPECIFICATIONS:**

10 WATT COAXIAL TERMINATION

POWER RATING: 10 WATTS CW @ 40°C.

12 WATTS CW @ 25°C.

FREQUENCY RANGE & VSWR: DC TO 1GHz AT 1.10:1 MAX.

1GHz TO 4GHz AT 1.25:1 MAX.

CONNECTOR TYPE: SMA FEMALE, PASSIVATED STAINLESS STEEL

IMPEDANCE: 50 OHMS, NOMINAL

AMBIENT TEMPERATURE RANGE: -40°C TO +40°C

OPERATING POSITION: ANY

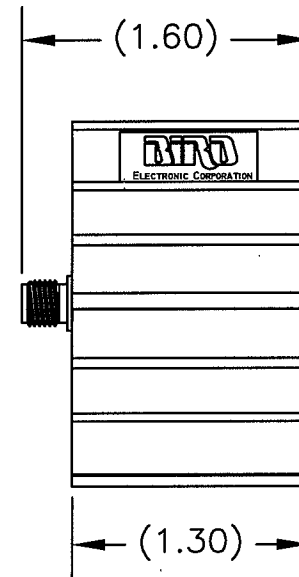
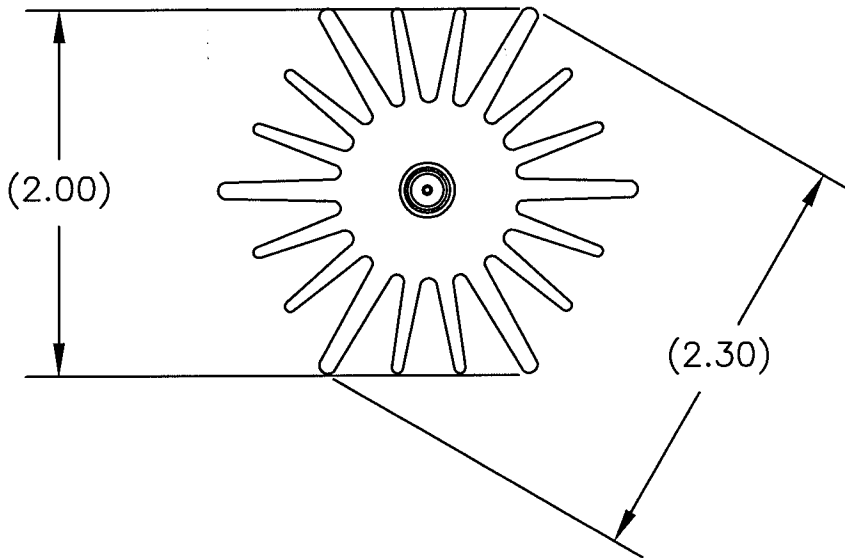
COOLANT: DRY (CONVECTION COOLED)

FINISH: BLACK ANODIZED COOLING FIN

NOMINAL SIZE: APPROX. 1.60" L X 2.30" DIA.

WEIGHT: APPROX. 3 OZ.

REVISIONS		DWG. NO.	10-T-FA	SHEET	REV
ZONE	REV	DESCRIPTION	DATE	APPROVED	
	A	ECN #0185	12-18-97	<i>MARKV</i>	



UNLESS OTHERWISE SPECIFIED  
DIMENSIONS ARE IN INCHES  
TOLERANCES ARE:

FRACTIONS	DECIMALS	ANGLES
± 1/64	.XX = ±.010 .XXX = ±.005	± 30'

DO NOT SCALE DRAWING

MILLIMETERS

.X = ±.4  
.XX = ±.12

THIS DRAWING IS THE PROPERTY OF THE BIRD ELECTRONIC CORPORATION. THE DESIGNS AND SPECIFICATIONS DISCLOSED HEREON ARE PROPRIETARY AND SHALL NOT BE REPRODUCED, NOR COPIED, NOR USED AS THE BASIS FOR THE MANUFACTURE OR SALE OF APPARATUS OR DEVICES WITHOUT THEIR EXPRESS WRITTEN CONSENT.



**BIRD**

**Electronic Corporation**  
Cleveland (Solon) Ohio USA

MATERIAL	APPROVALS	DATE	TITLE		
	DRAWN D.M.RINK	4-3-03	FINAL ASS'Y, TERMINATION SMA FEMALE, 10W		
FINISH	CHECKED		SIZE	FSCM NO.	DWG. NO.
	APPROVED <i>MARKV</i>	<i>6403</i>	A	70998	10-T-FA
		AUTOCAD	SCALE	COMM CODE	SHEET
			1:1	LD1	1 OF 1